

Specifications	H50/4		H50/3 *	
Ram mass	4000 kg	8800 lbs	3000 kg	6600 lbs
Maximum energy	51 kNm	35000 ft.lbs	40 kNm	29000 ft.lbs
Blow rate **	50-100 bpm		50-100 bpm	
Basic hammer weight	7200 kg	15875 lbs	6200 kg	13670 lbs
Hydraulic pressure	210 bar	3000 psi	200 bar	2900 psi
Hydraulic flow **	160 l/m	42 US Gall.	160 l/m	42 US Gall.

* Instead of 4000 kg ram a 3000 kg ram can be installed.
 ** Performance can vary depending on hydraulic output of base machine.

Special features of the H50

- Designed for heavy duty applications with steel, concrete and wooden piles
- Interchangeable drop weights
- Easy installation onto Liebherr LRB-Series hydraulic piling rig
- Short body maximises length of pile that can be driven
- Energy infinitely variable and able to be electronically monitored in cab

Basic machine

	LRB 125	LRB 125XL	LRB 155	LRB 255
H50	x	x		
H85			x	
H110				x

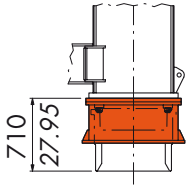
All dimensions in **mm/inch**; only metric values are valid.

Helmet for Bearing Piles Drive Caps for Sheet Piles

H50

Helmet retainer/Helmet

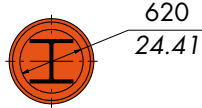
Helmet retainer
370 kg (816 lbs)



Helmet for concrete and H-piles
460 kg (1014 lbs)

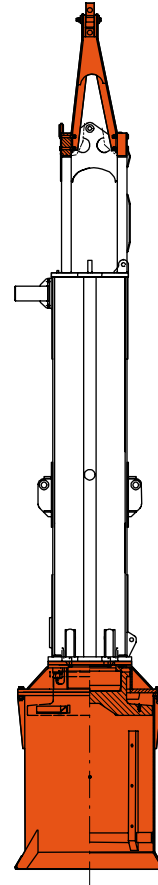


Helmet
side view

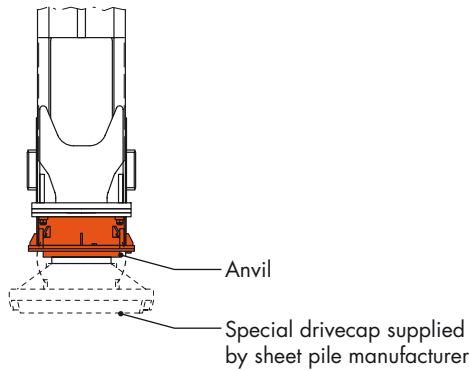


(or diameter acc. to requirement)

Crane suspended operation

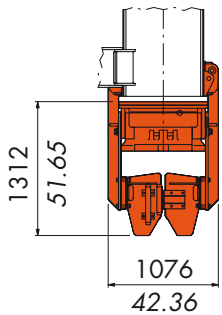


Anvil system



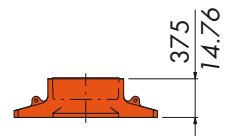
Drive cap retainer/Drive caps for crane suspended operation (other arrangements can be supplied on request)

Drive cap retainer and short
guide legs 630 kg (1381 lbs)

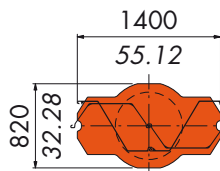


Drive caps for sheet pile in pairs
up to 1150 kg (2533 lbs)

Drive cap
side view

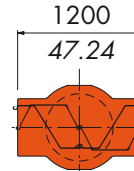


Type I



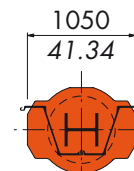
All AU U-Piles
AZ700 Z-Piles

Type II



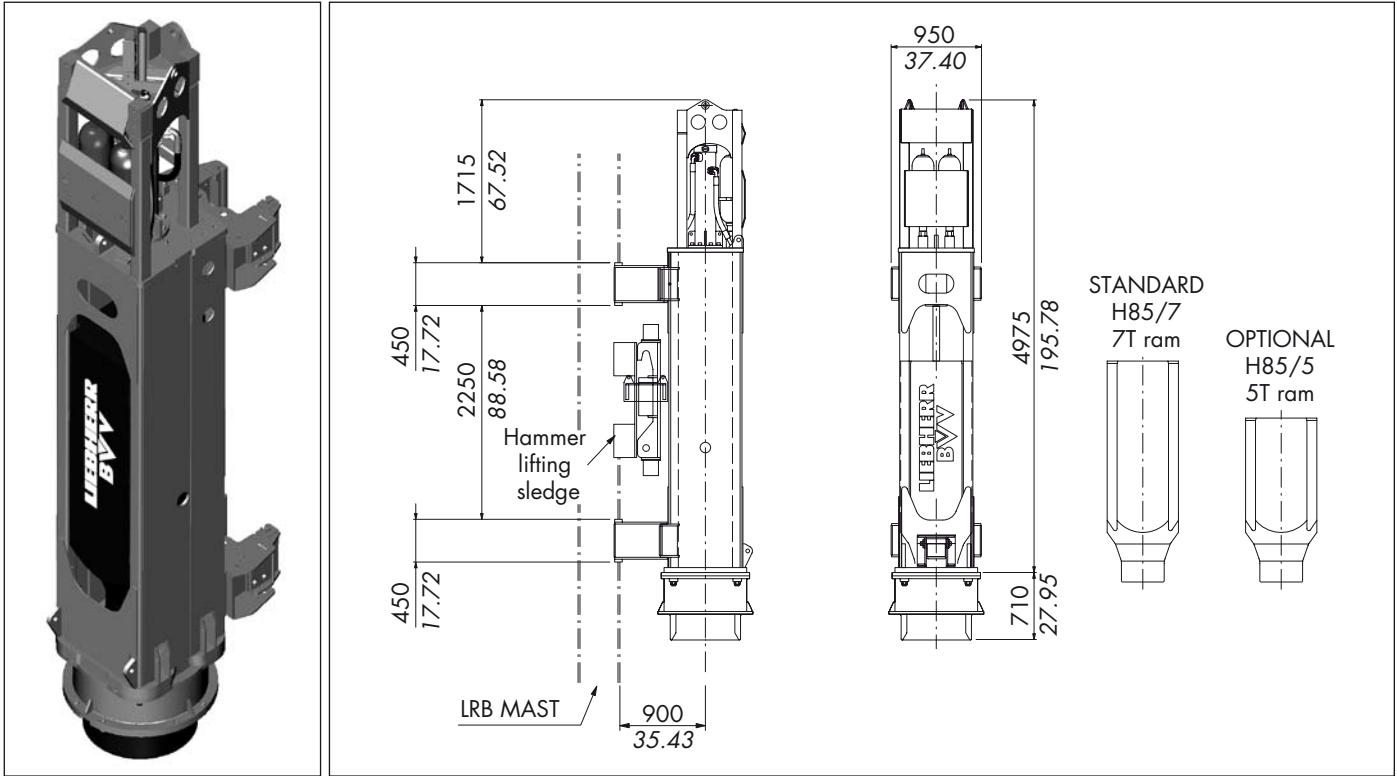
PU & LX U-Piles
AZ12 - AZ38 Z-Piles

Type III



H-Piles &
AZ46 - AZ50 Z-Piles

All dimensions in **mm/inch**; only metric values are valid.



Specifications	H85/7		H85/5 *	
Ram mass	7000 kg	15425 lbs	5000 kg	11000 lbs
Maximum energy	83 kNm	60000 ft.lbs	60 kNm	43300 ft.lbs
Blow rate **	45-100 bpm		50-100 bpm	
Basic hammer weight	10525 kg	23204 lbs	8620 kg	19004 lbs
Hydraulic pressure	240 bar	3500 psi	210 bar	3000 psi
Hydraulic flow **	200 l/m	52 US Gall.	200 l/m	52 US Gall.

* Instead of 7000 kg ram a 5000 kg ram can be installed.
 ** Performance can vary depending on hydraulic output of base machine.

Special features of the H85

- Designed for heavy duty applications with steel, concrete and wooden piles
- Interchangeable drop weights
- Easy installation onto Liebherr LRB-Series hydraulic piling rig
- Short body maximises length of pile that can be driven
- Energy infinitely variable and able to be electronically monitored in cab

Basic machine

	LRB 125	LRB 125XL	LRB 155	LRB 255
H50	x	x		
H85			x	
H110				x

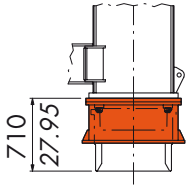
All dimensions in **mm/inch**; only metric values are valid.

Helmets for Bearing Piles Drive Caps for Sheet Piles

H85

Helmet retainer/Helmets

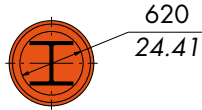
Helmet retainer
370 kg (816 lbs)



Helmet for concrete and H-piles
460 kg (1014 lbs)

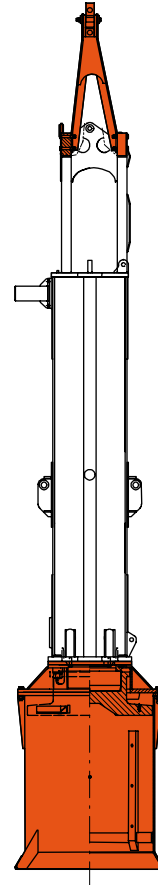


Helmet
side view

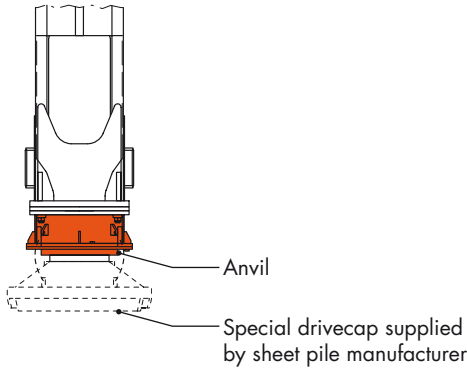


(or diameter acc. to requirement)

Crane suspended operation

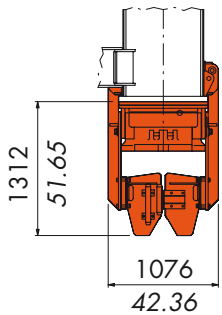


Anvil system



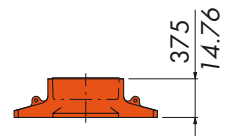
Drive cap retainer/Drive caps for crane suspended operation (other arrangements can be supplied on request)

Drive cap retainer and short
guide legs 630 kg (1381 lbs)

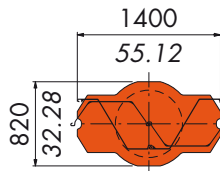


Drive caps for sheet pile in pairs
up to 1150 kg (2533 lbs)

Drive cap
side view

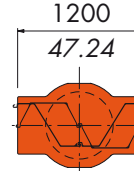


Type I



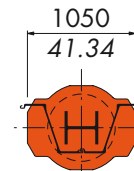
All AU U-Piles
AZ700 Z-Piles

Type II



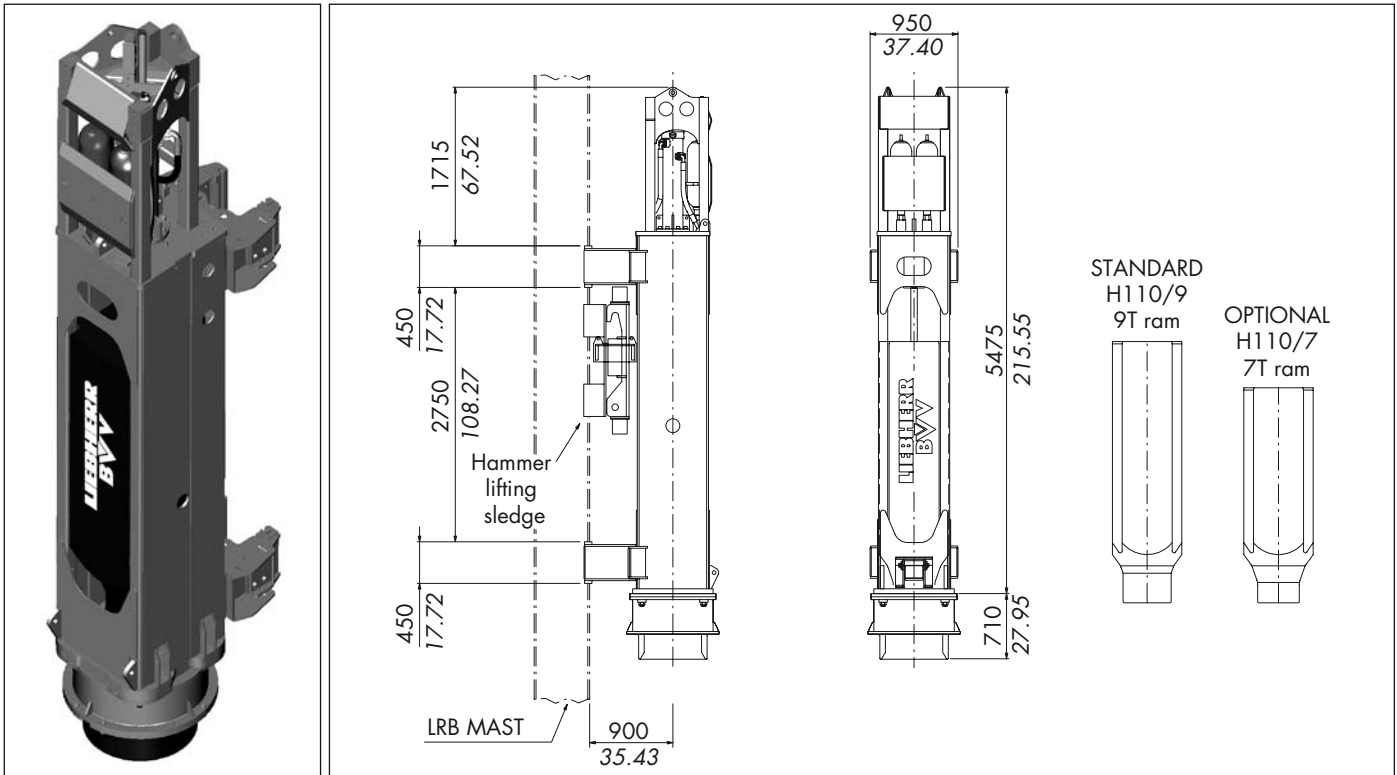
PU & LX U-Piles
AZ12 - AZ38 Z-Piles

Type III



H-Piles &
AZ46 - AZ50 Z-Piles

All dimensions in **mm/inch**; only metric values are valid.



Specifications	H110/9		H110/7 *	
Ram mass	9000 kg	19850 lbs	7000 kg	15425 lbs
Maximum energy	106 kNm	78000 ft.lbs	83 kNm	60000 ft.lbs
Blow rate	36-100 bpm		40-100 bpm	
Basic hammer weight	12685 kg	27966 lbs	10550 kg	23259 lbs
Hydraulic pressure	250 bar	3625 psi	230 bar	3335 psi
Hydraulic flow	215 l/m	55 US Gall.	215 l/m	55 US Gall.

* Instead of 9000 kg ram a 7000 kg ram can be installed.

Special features of the H110

- Designed for heavy duty applications with steel, concrete and wooden piles
- Interchangeable drop weights
- Easy installation onto Liebherr LRB-Series hydraulic piling rig
- Short body maximises length of pile that can be driven
- Energy infinitely variable and able to be electronically monitored in cab

Basic machine

	LRB 125	LRB 125XL	LRB 155	LRB 255
H50	x	x		
H85			x	
H110				x

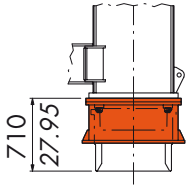
All dimensions in **mm/inch**; only metric values are valid.

Helmets for Bearing Piles Drive Caps for Sheet Piles

H110

Helmet retainer/Helmets

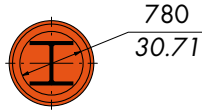
Helmet retainer
425 kg (937 lbs)



Helmet for concrete and H-piles
955 kg (2105 lbs)

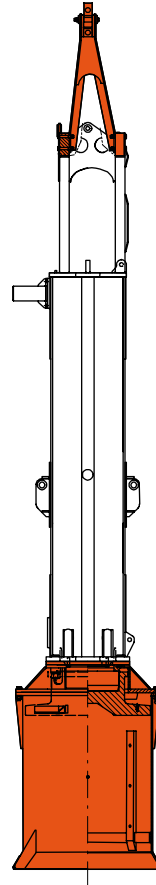


Helmet
side view

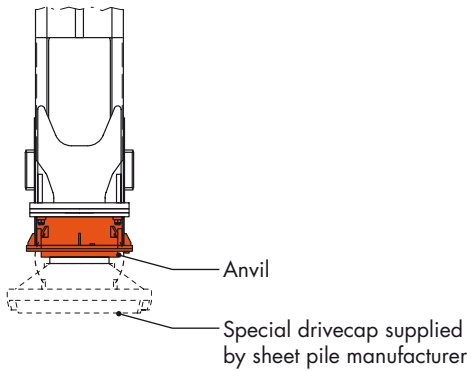


(or diameter acc. to requirement)

Crane suspended operation

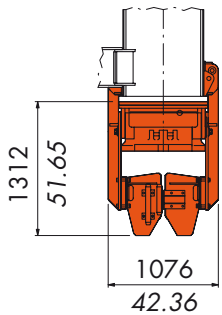


Anvil system



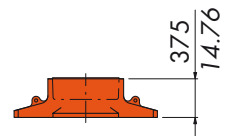
Drive cap retainer/Drive caps for crane suspended operation (other arrangements can be supplied on request)

Drive cap retainer and short
guide legs 630 kg (1381 lbs)

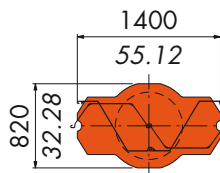


Drive caps for sheet pile in pairs
up to 1150 kg (2533 lbs)

Drive cap
side view

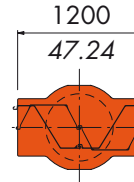


Type I



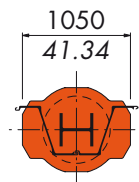
All AU U-Piles
AZ700 Z-Piles

Type II



PU & LX U-Piles
AZ12 - AZ38 Z-Piles

Type III



H-Piles &
AZ46 - AZ50 Z-Piles

All dimensions in **mm/inch**; only metric values are valid.



BVV Spezialtiefbautechnik Vertriebs GmbH
Bleibtreustrasse 9, D-81479 Munich/Germany
Tel.: (+49) 089-6651 930
Fax: (+49) 089-6131 748
info@bvvspezialtiefbau.de
www.bvv-spezialtiefbau.de

Liebherr-Werk Nenzing GmbH
P.O. Box 10, A-6710 Nenzing/Austria
Tel.: +43 50809 41-0
Fax: +43 50809 41-499
crawler.crane@liebherr.com
www.liebherr.com